

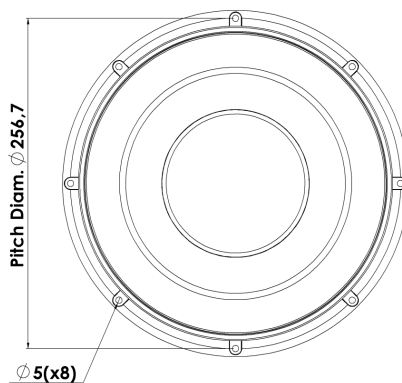
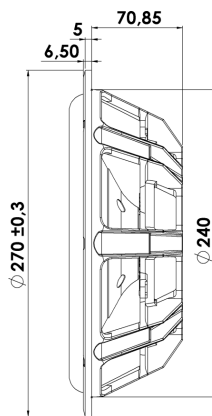


DISCOVERY

PASSIVE RADIATOR

26W/0-00-00

The Discovery series offer traditional design, superior sound, a solid construction, and a wide range of variants. Combining these elements - plus a wealth of technical features and finesses - gives our customers the possibility of acquiring a tailor-made Scan-Speak solution with very good performance at a reasonable low price point!



KEY FEATURES:

- Optimized for 26W/4558T00
- Rigid Black Aluminium Cone
- Die cast Alu Chassis
- Adjustable Weight for Optimum Freq
- Coated Sandwich Fibre Glass Dust Cap

T-S Parameters

Resonance frequency [fs]	11 Hz
Mechanical Q factor [Qms]	13.7
Electrical Q factor [Qes]	-
Total Q factor [Qts]	-
Force factor [Bl]	- Tm
Mechanical resistance [Rms]	1.97 kg/s
Moving mass [Mms]	400 g
Suspension compliance [Cms]	0.55 mm/N
Effective diaph. diameter [D]	212 mm
Effective piston area [Sd]	352 cm ²
Equivalent volume [Vas]	95 l
Sensitivity (2.83V/1m)	- dB
Ratio Bl/√Re	- N/√W
Ratio fs/Qts	- Hz

Notes:

IEC specs. refer to IEC 60268-5 third edition.
All Scan-Speak products are RoHS compliant.
Data are subject to change without notice.
Datasheet updated: February 22, 2011.

Electrical Data

Nominal impedance [Zn]	- Ω
Minimum impedance [Zmin]	- Ω
Maximum impedance [Zo]	- Ω
DC resistance [Re]	- Ω
Voice coil inductance [Le]	- mH

Power Handling

100h RMS noise test (IEC 17.1)	- W
Long-term max power (IEC 17.3)	- W

Voice Coil and Magnet Data

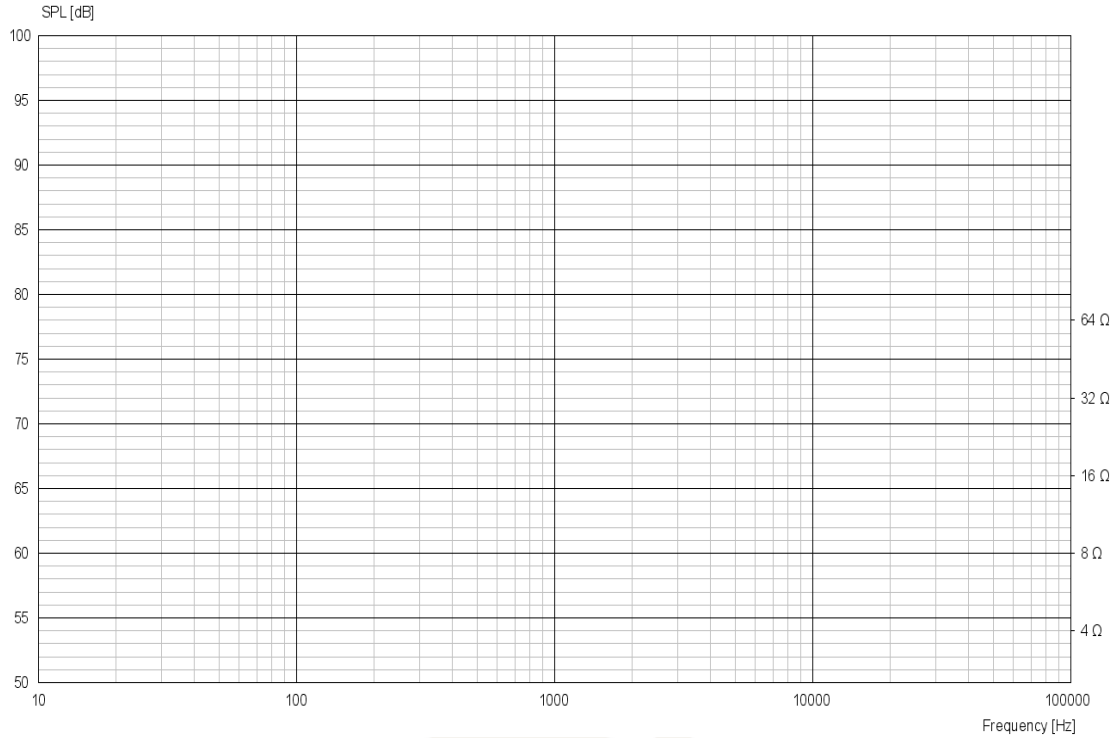
Voice coil diameter	- mm
Voice coil height	- mm
Voice coil layers	-
Height of gap	- mm
Linear excursion	± - mm
Max mech. excursion	± 28 mm
Unit weight	1.3 kg



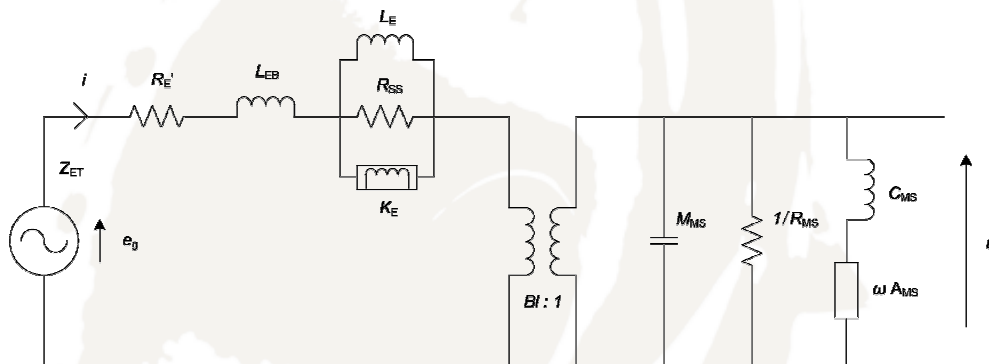


PASSIVE RADIATOR

26W/0-00-00



Advanced Parameters (Preliminary)



Electrical data:

Resistance [$R_{E'}$]	- Ω
Free inductance [L_{EB}]	- mH
Bound inductance [L_E]	- mH
Semi-inductance [K_E]	- SH
Shunt resistance [R_{SS}]	- Ω

Mechanical Data

Force Factor [Bl]	- Tm
Moving mass [M_{MS}]	400 g
Compliance [C_{MS}]	0.51 mm/N
Mechanical resistance [R_{MS}]	0.746 kg/s
Admittance [A_{MS}]	0.0466 mm/N