

Model Number: OC25SC65-04
Product Line: Peerless Silver

Revision: Rev 1_0
Date: 7-Sep-09

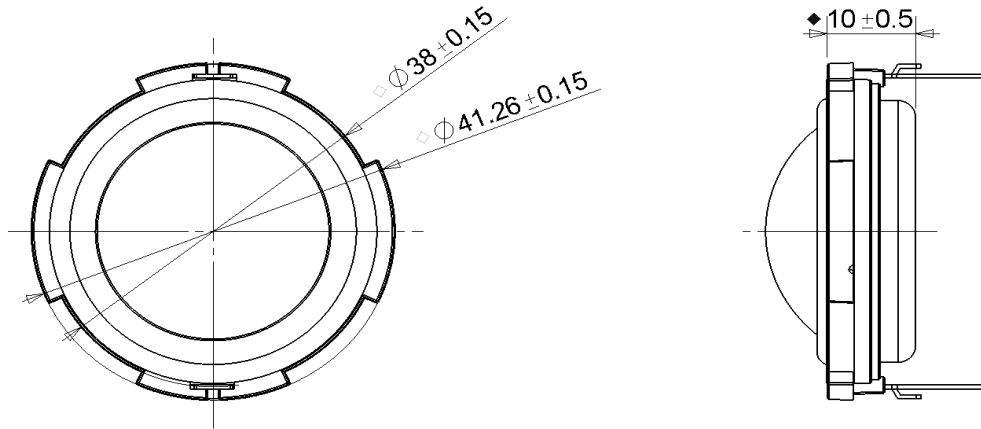


Product Description:

This OC family tweeter features a 25 mm 4 ohm voice coil, a damped fabric dome for smooth frequency response performance, and ferrofluid in the gap of the neodymium magnet motor, providing enhanced cooling of the voice coil. The tweeter comes with a twist-lock mating feature, to allow for easy installation into custom faceplates.



Mechanical 2D Drawing:



Specifications:

DC Resistance	R_{evc}	Ω	3.0	5.0%	Energy Bandwidth Product	EBP	$(1/Q_{es})f_s$	753
Minimum Impedance	Z_{min}	Ω	3.4	7.5%	Moving Mass	M_{ms}	g	0.3
Voice Coil Inductance	L_e	mH	0.02		Suspension Compliance	C_{ms}	um/N	43
Resonant Frequency	f_s	Hz	1380	15.0%	Effective Cone Diameter	D	cm	2.97
Mechanical Q Factor	Q_{ms}	-	4.07		Effective Piston Area	S_D	cm ²	6.9
Electrical Q Factor	Q_{es}	-	1.83		Equivalent Volume	V_{as}	L	0.003
Total Q Factor	Q_{ts}	-	1.26		Motor Force Factor	BL	T·m	2.10
Ratio f_s / Q_{ts}	F	f_s / Q_{ts}	1092		Motor Efficiency Factor	β	$(T \cdot m^2) / \Omega$	1.47
Half Space Sensitivity @ 2.83V	dB@2.83V/1m	dB	94.0	+/-1.0 ¹	Voice Coil Former Material	VC _{fm}	-	ASV
Sensitivity @ 1W/1m	1W/1m	dB	89.7	+/-1.0 ¹	Voice Coil Inner Diameter	VC _{id}	mm	25.40
					Gap Height	Gh	mm	2.00
Rated Noise Power (IEC 2685 18.1)	P	W	25		Maximum Linear Excursion	X _{max}	mm	0.00
Test Spectrum Bandwidth	1.3kHz - 20kHz		12 dB/Oct		Ferrofluid Type	FF		APG027
					Transducer Size	-	inch	1
					Transducer Mass	-	kg	0.05

1 - Piston Band Sensitivity Tolerance

Frequency and Impedance Response:

