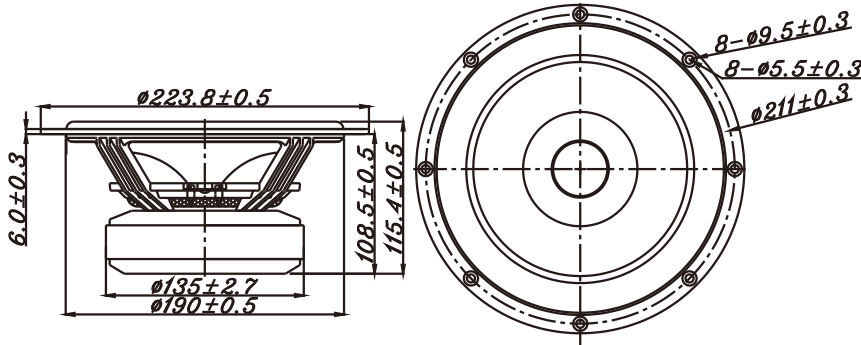


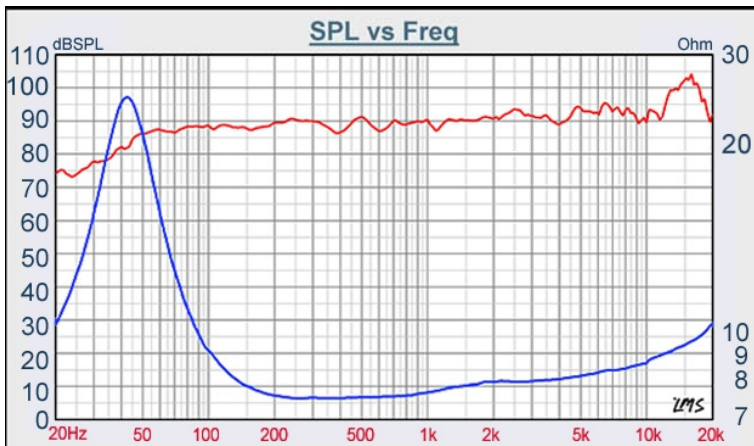
# F SERIES

# W8-2145



- 8" OF FULL RANGE SPEAKER DESIGN
- FERRITE MAGNET, UNDERHUNG DESIGN, ALUMINUM PHASE PLUG
- VERY LOW THD (2<sup>nd</sup> AND 3<sup>rd</sup> HARMONIC DISTORTION)
- SPL=90dB/M/W, QTS=0.54
- BAMBOO FIBER PAPER CONE WITH DURABLE STRUCTURED SANTOPRENE SURROUND

## 8" PAPER FULL RANGE



DIAPHRAGM MTL	Paper
SURROUND MTL	Structured Santoprene
NOMINAL IMPEDANCE	8 Ω
DCR IMPEDANCE	6.8 Ω
SENSITIVITY 1W/1m	90 dB
FREQUENCY RESPONSE	40 - 20K Hz
FREE AIR RESONANCE	40 Hz
VOICE COIL DIAMETER	38.5 mm
AIR GAP HEIGHT	10 mm
RATED POWER INPUT	30 W
MAXIMUM POWER INPUT	60 W
FORCE FACTOR, BL	6.09 TM
TYPE OF MAGNET	Ferrite
MOVING MASS	14.97 g
FERROFLUID ENHANCED	No
SUSPENSION COMPLIANCE	918.61 μMN <sup>-1</sup>
EFFECTIVE PISTON AREA	0.022 M <sup>2</sup>
Levc	0.014 mH
Zo	27 ohm
X-max	3.0 mm
Vas	63.13 Liter
Qts	0.54
Qms	2.02
Qes	0.74



VOICE:886.2.26570282 FAX:886.2.26580166  
E-MAIL :info@tb-speaker.com